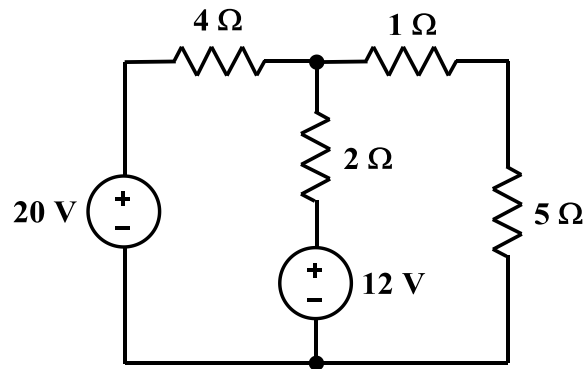


EE 2240
Problem #03



- a. How many equations are necessary to analyze this circuit by the mesh analysis method?

Use the method discussed in class to:

- b. Develop the mesh equations describing the circuit.
- c. Write the mesh equations in the matrix form discussed in class.
- d. Solve the mesh equations.
- e. Use the results of your mesh analysis to determine the amount of power absorbed by the 5Ω resistor.